

## WALTERSCHEID – YOUR PARTNER ON THE TRACTOR REAR

Hydraulic top links with original Walterscheid hook, lower link hooks operated from the driver's seat, hydraulic lateral stabilizers for a safe and comfortable work in difficult terrain – only a few milestones in the world of coupling technology developed by Walterscheid within the last 30 years.

The integration of the former Walterscheid Cramer GmbH is another highlight and a big step forward on our track to bring more convenience and safety into the agriculture business. A wide range of coupling ladders including different inserts made Walterscheid into a full service provider for high quality coupling systems for tractors and self-propelled equipment. Focussing on safe and convenient coupling system makes us an ideal partner for OEMs as well as farmers.

**Walterscheid** – we take agriculture forwards!

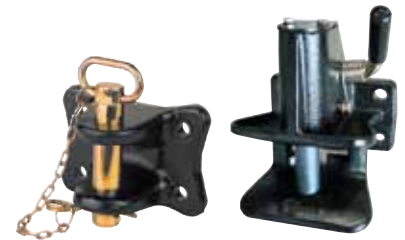
### WALTERSCHEID GmbH

Niederlassung Dingelstädt - Fachbereich Anhängertechnik  
Heiligenstädter Straße 17a  
D-37351 Dingelstädt  
Tel: +49 36075 573-0  
Fax: +49 36075 573-23  
hitches@walterscheid.com  
www.walterscheid.com

*...more than agriculture*

## WALTERSCHEID COUPLINGS

**MODELS  
KU601  
AND KU25**



For more information and technical details please call our hotline or download the latest version of the couplings catalogue on [www.walterscheid.com](http://www.walterscheid.com)

### WALTERSCHEID GMBH

Hauptstraße 150  
D-53797 Lohmar  
Tel: +49 2246 12-0  
Fax: +49 2246 12-3501

[www.walterscheid.com](http://www.walterscheid.com)

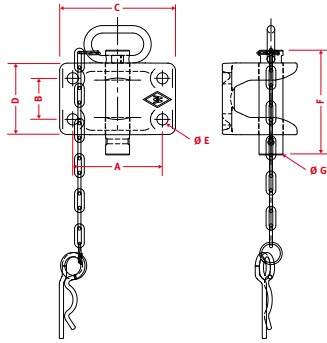
**WALTERSCHEID**

TCR 007E 10.10.XE1.x ©Printer in Germany



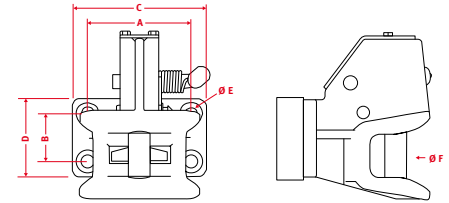
# SWITCH-COUPLING

## KU601/602/603



# COUPLING CLEVIS TYPE FLANGE

## KU25



reference	hole pattern	flange	drill hole	bolt	Ø bolt	towing capacity	item no.
	a x b [mm]	c x d [mm]	Ø e [mm]	f [mm]	g [mm]	[t]	
KU601	120 x 55	155 x 96	15	140	32	20	8002461
KU601NB35	120 x 55	155 x 96	15	140	35	25	8004720
KU602	140 x 80	200 x 140	17	170	35	25	8002462
KU603	160 x 100	200 x 140	21	170	35	25	8002463

reference	hole pattern	flange	drill hole	bolt	max. vertical load	max. vertical load	item no.
	a x b [mm]	c x d [mm]	Ø e [mm]	f [mm]	kg < 25 km/h	kg > 25 km/h	
Ku25-3	120 x 55	155 x 90	15	25	2500	2000	8002604
Ku25-3L	120 x 55	155 x 90	15	25	2500	2000	8004689

max. d-value

45 kN

- switch-coupling DIN 15170

- fitted for coupler eyes DIN 74054, 8454, DIN 9678, VG74059, NFU14-022

- components tested according to 77-389/EWG

- electrophoretic coating
- made of stainless steel
- bolts 360° turnable
- KU25-3-L over-head turntable

- fitted for coupler eyes DIN 8454 / DIN 74054 / ISO 8755

- homologation ABG-Nr.: M 9716